

## Antenna Mast AM 4.0-0

### Technical data:

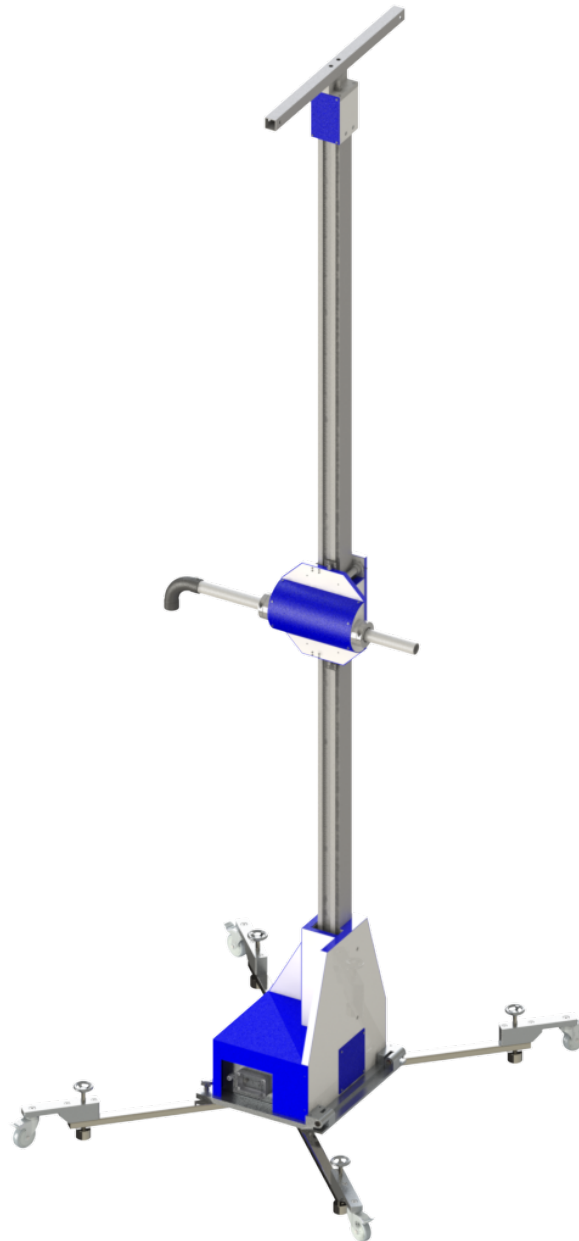
Antenna height automatic adjustable	1.0 m – 4.0 m
Total mast height	4.6 m
Load capability non tilted	max. 10 kg (when balanced)
For long and heavy antennas, a counter weight is required to balancing the load. Depending on the distance of the antenna gravity center	
Material of antenna mast	Plastic and reinforced fiberglass
Mast cross section	101 mm x 95 mm
Base L x W	1.75 m x 1.55 m
Position speed adjustable	
in combination with FCU3.0	1.0 cm/s – 35 cm/s
in combination with NCD	1.0 cm/s – 20 cm/s
Position accuracy	+/- 0.5 cm
Electric polarization	0° / 90° (vert. / hor.)
Polarization time	approx. 3 s
Motors	DC stepper Motors
Interference suppression	20 dB under limits DIN EN 55011:2018-05 class B
Voltage	110 VAC – 230 VAC, 50 Hz / 60 Hz single phase
Required Fuse	max. 16 A
Discharge current	30 mA per drive unit (higher in the moment when powering on)
Control cable	Fibre optic lines
Remote control via	LAN (TCP/IP); (IEEE only with NCD)
Antenna support drive	2 toothed belts
Material of toothed belts	Kevlar reinforced (non-metallic)
Operating temperature	-10° C – 35 ° C
Total weight	approx. 100 kg
Accessories	Interface to FCU <sup>3.0</sup> /NCD controller 3 m power supply cable Service manual

### Brief description

The Antenna Mast **AM 4.0-O** is designed for use in open area test sites. Included guy wires, anchoring pins and protection cover ensure an operation for wind speeds up to 60 km/h. The antenna mast, with the exception of the drive unit, is fabricated from plastic (PVC and reinforced fibreglass). Metal parts are located only in the base plate and the drive mechanism (max. 0.3 m above ground level).

Antenna Adapters for all commercially available antennas are available upon request. All antennas during polarization rotate around their axis to eliminate any elevation errors.

The **LAN (TCP/IP) - interface** provides an additional control option for all functions, when operated with the **FCU<sup>3.0</sup>** or **NCD Controller**.



Information presented enclosed is subject to change as product enhancements are made regularly. Pictures included are for illustration purposes only and do not represent all possible configurations.